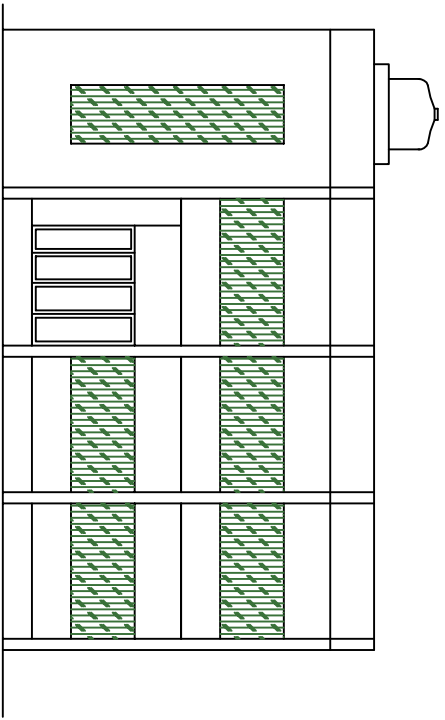
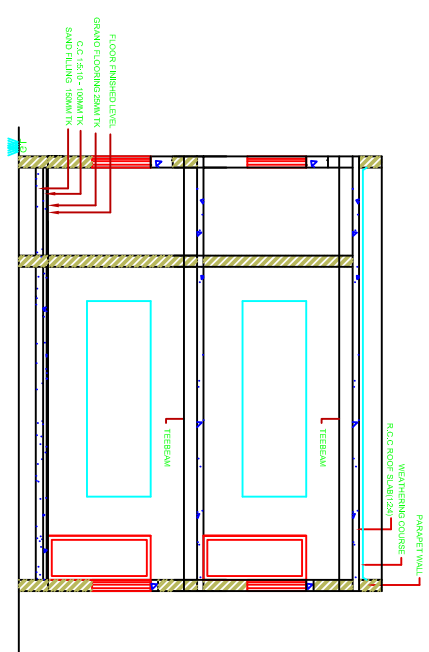


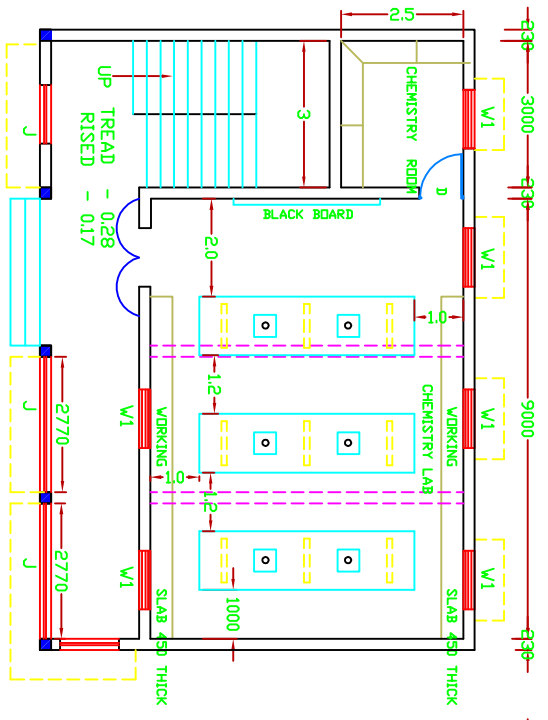
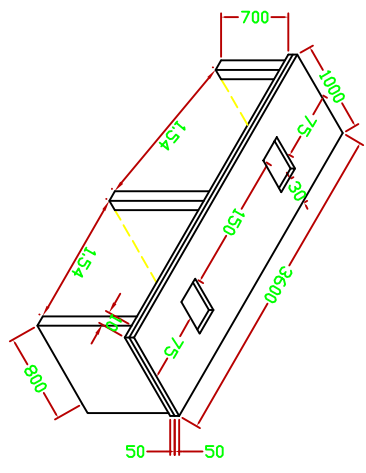
CONSTRUCTION OF SCIENCE LAB FOR ADW HIGH SCHOOL



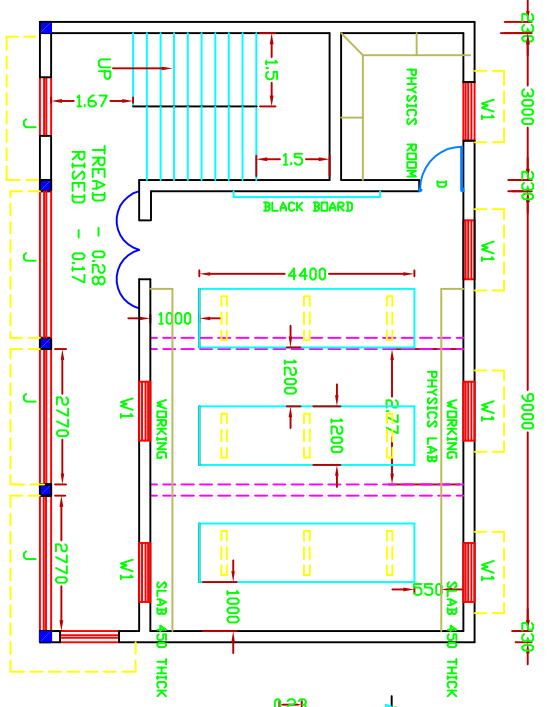
ELEVATION



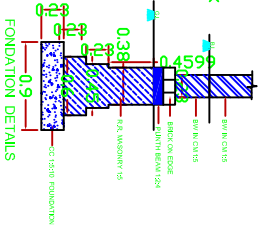
SECTION-A



GROUND FLOOR PLAN



FIRST FLOOR PLAN



FOUNDATION DETAILS

PLINTH AREA	
GROUND FLOOR	112.80 Sq.M
FIRST FLOOR	112.80 Sq.M
JOINERY DETAILS	
MD MAIN DOOR	1.20x2.10
D DOOR	0.90x2.10
W1 WINDOW	1.20x1.30
G GRILL GATE	2.60x2.10

SCALE :- 1:100, 1:50	DATE :-
DETAIL :-	JOB No.
CHKD. :-	DRG.No.
ASST. ENGG. \ JUNIOR ENGG.	
TAHDGO	
ASST. EXECUTIVE ENGINEER.	
TAHDGO	
EXECUTIVE ENGINEER.	
TAHDGO..... DIVISION	
GENERAL MANAGER (TECHNICAL)	
TAHDGO HEAD OFFICE, CHENNAI - 101.	